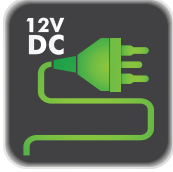
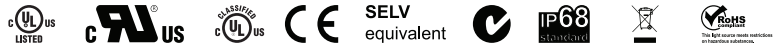


# LED Power Supply 12V DC Enclosure 60W



### Features and Benefits

- Built-in weatherproof compartments for wiring
- Wide input AC voltage range 100-277V 50/60Hz
- Constant DC Voltage Output
- Active Power Factor Correction (0.99 Typical)
- Operating temperature -35°C to +60°C (-31°F to +140°F)
- Surge, over-voltage, over-current, over-temperature and short-circuit protections
- IP68 Rating - UL certified for use in wet, damp and dry locations
- Meets UL1310 Class 2 output, UL8750 & EN61347 Safety Standards
- Compliant with FCC Title 47 CFR Part 15 Non-Consumer (Class A) for EMI/RFI (conducted and radiated) at full load
- 5-year limited warranty



### Ordering Information (subject to change without notice)

Ordering Code	Input Voltage (VAC)	Output Voltage (VDC) <sup>1</sup>	Max. Output Current (A)	Max. Output Power (W)	Typical Efficiency <sup>2</sup>	Typical Power Factor		Max Inrush Current <sup>3</sup> (A)	Average Rated Life <sup>4</sup> (hours)	IP Rating	Net Weight (lb)/(kg)
						100VAC	220VAC				
PS12-60W-100-277V-ENC	100-277	12	5.00	60	87%	0.99	0.96	50	50,000	IP68	2.02/0.92

- Notes:**
- (1) Tolerance ± 0.6V
  - (2) Measured at full load and 220V AC input.
  - (3) Measured at 230V AC input and 25°C cold start
  - (4) Measured at 110V AC input, 80% load and 45°C ambient temperature; Case temperature shall not exceed 88.7°C in application.

### LED Module to Power Supply Wire Size

Gauge (AWG)	Wire Size		Maximum Distance*	
	Metric (mm <sup>2</sup> )	Feet	Meters	
26	0.13	3	0.9	
24	0.21	4	1.2	
22	0.33	7	2.1	
20	0.52	11	3.4	
18	0.82	18	5.5	
16	1.31	29	8.8	
14	2.08	45	13.7	
12	3.31	71	21.6	
10	5.26	120	36.6	

\*Distance from power supply to load at full capacity

### Ordering Guide

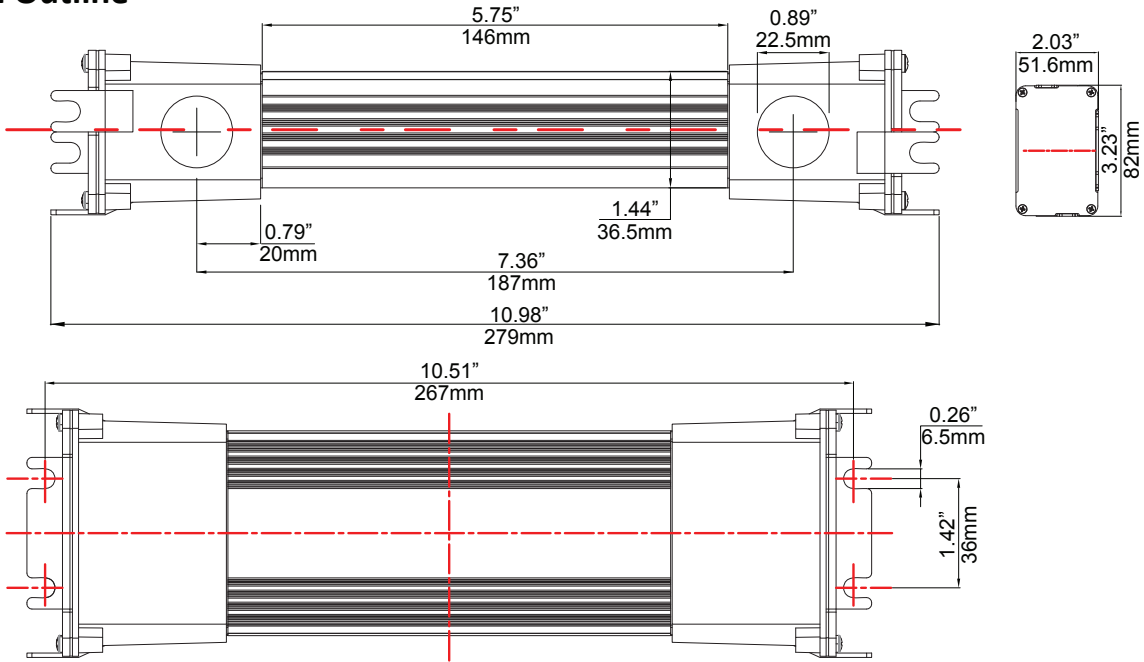
PS	12	-60W	-100-277V	-ENC
Power Supply	Output Voltage	Output Wattage	Input Voltage Range	Built-in Wiring Enclosure

### Safety & EMC Compliance

Safety Category	Country	Standard
ULcUL	USA & Canada	UL8750 Compliance to UL1310 Class2, UL1012 UL935, CAN/CSA-C22.2 No. 0, CSA-C22.2 No. 107.1, CSA-C22.2 No. 250.0
CE	Europe	EN61347- 1, EN61347- 2-13:2006, EN62384:2006
EMI Standards		Notes
EN 55015		Conducted emission Test & Radiated emission Test with 6 dB margin
EN 61000-3-2		Harmonic current emissions: Class C
EN 61000-3-3		Voltage fluctuations & flicker
EN 61000-4-2		Electrostatic Discharge (ESD): 8 kV air discharge, 4 kV contact discharge
EN 61000-4-3		Radio-Frequency Electromagnetic Field Susceptibility Test-RS
EN 61000-4-4		Electrical Fast Transient / Burst-EFT
EN 61000-4-5		Surge Immunity Test: AC Power Line: line to line 2 kV, line to earth 4 kV
EN 61000-4-6		Conducted Radio Frequency Disturbances Test-CS
EN 61000-4-8		Power Frequency Magnetic Field Test
EN 61000-4-11		Voltage Dips
EN 61547		Electromagnetic Immunity Requirements Applies to Lighting Equipment

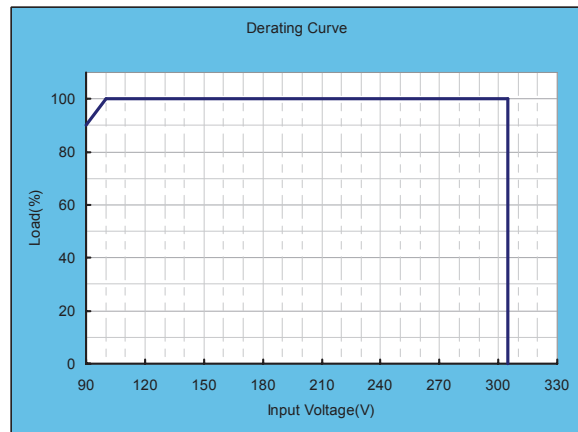
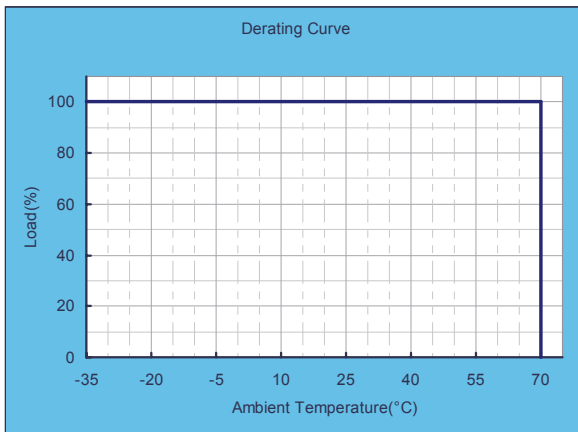
# LED Power Supply 12V DC Enclosure 60W

## Mechanical Outline



Note: UL 48 Standard requires spacings between transformers, ballasts, neon power supplies and LED power supplies shall be at least 1 inch (25.4 mm) from end to end and 4 inches (101.6 mm) from side to side.

## Derating Curve



## Shipping Information

Ordering Code	SKU	Case Quantity	SKU Weight (lb/kg)	Case Weight (lb/kg)	SKU Dimensions (W x D x H)	Case Dimensions (W x D x H)
PS12-60W-100-277V-ENC	1 unit/SKU	16 SKUs/Box	2.02/0.915	35.0/15.9	10.98"x3.23"x2.03"	19.7"x14.6"x14.0"



**General LED, Inc.**  
 1074 Arion Circle, Ste 116  
 San Antonio, TX 78216  
 United States of America  
 +1.866.482.0203  
[www.AgiLight.com](http://www.AgiLight.com)  
[www.GenLEDLighting.com](http://www.GenLEDLighting.com)  
[www.GeneralLED.com](http://www.GeneralLED.com)

**General LED Fze**  
 822, Building 4EA  
 Dubai Airport Free Zone  
 Dubai, United Arab Emirates  
 +971 4 701901822

### CAUTIONS

1. The maximum case temperature shall not exceed 88.7°C when used in end product.
2. These products are intended to be connected to a max. 20 A branch circuit.
3. These products are intended for use in dry, damp and wet locations.