



SIGNRAYZ® APEX

Features and Benefits

- Batwing beam pattern to increase light coverage
- Waterproof IP68 rating
- UL certified for use in wet, damp and dry locations
- UV resistant, suitable for direct sun exposure
- Operating temperature range from -40°C to +60°C (-40°F to +140°F)
- Constant current driven LEDs
- No UV or IR emission
- Complies with FCC Title 47, Part 15, Subpart B for Class A digital devices
- 5-year limited warranty

Applications

- Channel Letters
- Cabinet Signs
- Cloud Signs
- Cove Lighting
- Accent Lighting



Ordering Information

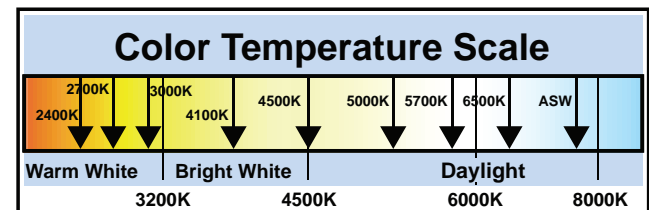
Ordering Code	LED Color/ CCT (K)	Number of Modules		Input Voltage (Volt)	Nominal Current (A/Module)	Max. Wattage per Module* (W)	Nominal Light Output (lm)*	
		per Foot	per Meter				per Foot	per Meter
LS-APEX-ASW-G2	AgiLight SignWhite	2	6.56	12	0.100	1.24	250	820
LS-APEX-65K-G2	White/6500K	2	6.56	12	0.100	1.24	250	820
LS-APEX-57K-G2	White/5700K	2	6.56	12	0.100	1.24	250	820
LS-APEX-50K-G2	White/5000K	2	6.56	12	0.100	1.24	250	820
LS-APEX-45K-G2	White/4500K	2	6.56	12	0.100	1.24	210	689
LS-APEX-41K-G2	White/4100K	2	6.56	12	0.100	1.24	210	689
LS-APEX-30K-G2	White/3000K	2	6.56	12	0.100	1.24	210	689
LS-APEX-27K-G2	White/2700K	2	6.56	12	0.100	1.24	210	689
LS-APEX-24K-G2	White/2400K	2	6.56	12	0.100	1.24	180	590

*Nominal 1.20W

*±10%

Ordering Guide

LED Sign	Model	Color Temperature	Beam Pattern
LS	-APEX	-65K	-G2
		6500K	G2: Batwing

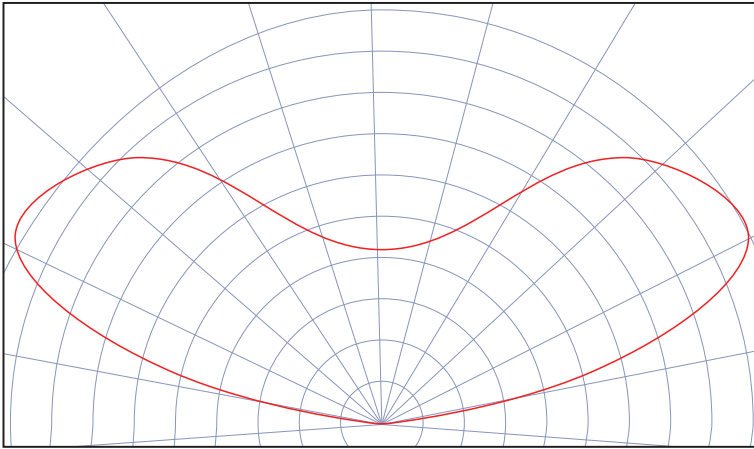


General LED, Inc.
1074 Arion Circle, Suite 116
San Antonio, TX 78216
United States of America
+1.866.482.0203

General LED Fze
822, Building 4EA
Dubai Airport Free Zone
Dubai, United Arab Emirates
+971 4 7017901

Luminous Intensity Distribution

G2 Batwing Beam Pattern



Power Supply Load Chart

Model	STANDARD (ft)		METRIC (m)	
	12W	60W	12W	60W
LS-APEX-XXX-G2	4	24	1.2	7.3

Population Density Guide

	STANDARD (in)				
	3	4	5	6	8
Channel Depth:					
Max. Stroke	*	*	13	17	20
Multiple Row Spacing	*	*	12	15	17

	METRIC (mm)				
	75	100	125	150	200
Channel Depth:					
Max. Stroke	*	*	330	432	508
Multiple Row Spacing	*	*	305	381	432

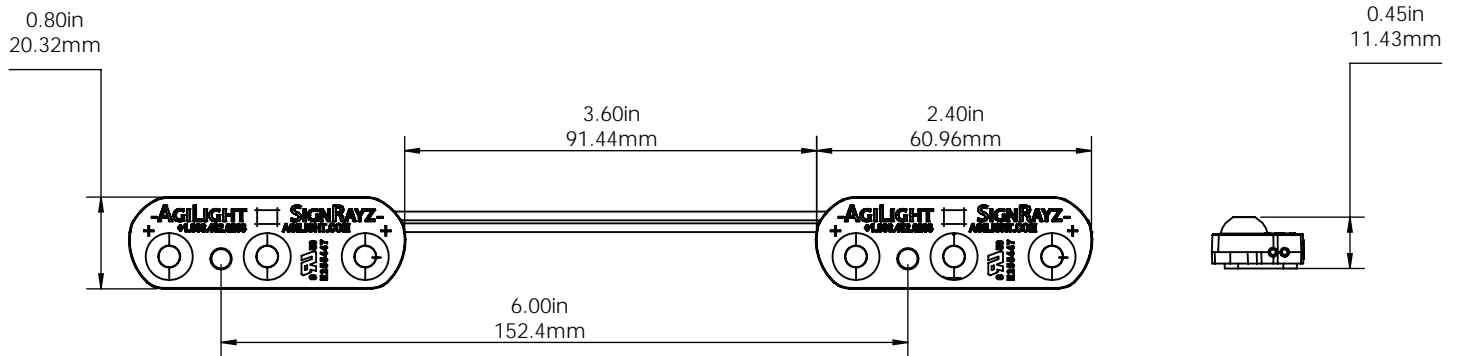
* Please contact a sales associate

Wire Gauge Chart

Wire Gauge (AWG)	MAXIMUM DISTANCE*	
	STANDARD (ft)	METRIC (m)
26	3	0.9
24	4	1.2
22	7	2.1
20	11	3.4
18	18	5.5
16	29	8.8
14	45	13.7
12	71	21.6
10	120	36.6

*Distance from power supply to load (at full capacity)

LED Module Dimensions



Shipping Information

Model	STANDARD									METRIC												
	SKU (ft)	Tray Quantity SKUs (ft)	Box Quantity SKUs (ft)	Case Quantity SKUs (ft)	Case Weight (lb)	Box Dimensions (in)			Case Dimensions (in)			SKU (m)	Tray Quantity SKUs (m)	Box Quantity SKUs (m)	Case Quantity SKUs (m)	Case Weight (kg)	Box Dimensions (mm)			Case Dimensions (mm)		
	W	D	H	W	D	H	W	D	H	W	D	H	W	D	H	W	D	H				
LS-APEX-XXX-G2	1	25	100	500	48	19.7	11.2	4.5	26.4	20.5	12.2	0.3	7.6	30.5	152.4	21.8	500	285	115	670	520	310



1. These products are only suitable for connection to a Class 2 power source rated 12 Volt DC or less.
2. These products are intended for use only when connected to a power source that complies with Class 2 voltage and energy limited circuit.
3. When these units are connected to a Class 2 circuit, they are not to draw a total wattage of greater than the secondary or output rating of the Class 2 supply.
4. These products are suitable for use in dry, damp and wet locations. Not suitable for submersed applications.
5. These products may be secured in place in the end product by any means available.