



TALEXcontrol LNU I IP20 G1
TALEXcontrol PWM dimmer

Product description

- Service device for programming of Talexcontrol LNU M and LNU S
- USB connector
- Cable length 500 mm
- Terminals for connecting the sync line of the Talexcontrol LNU M and LNU S
- Casing: polycarbonate transparent (UV resistant)
- LNU configurator
- 5-year guarantee

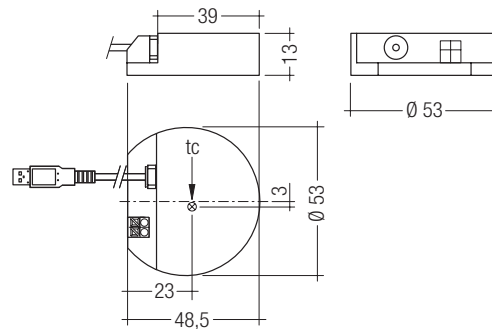


Functions

- Change in the ambient brightness response. Free programming of dimming curve
- Individual dimming settings
- Readout of the device settings of LNU M
- Predefinition of switchDIM settings and the switchDIM memory level
- Update of firmware LNU M and LNU S
- Update to customer specific firmware

Technical data

Current consumption USB	50 mA
Voltage USB	5 V
Sync. short circuit protection	yes, reversible
Sync. reverse polarity protection	yes, reversible
Ambient temperature t_a	0 ... +50 °C
Storage temperature	-30 ... +85 °C
Max. casing temperature t_c	50 °C
Dimensions LxBxH	48.5 x 53 x 13 mm



Ordering data

Type	Article number	Packaging, carton	Packaging, outer box	Weight per piece
LNU I IP20 G1	28000163	1 piece	10 pieces	0.042 kg



Standards, page 2

Wiring diagrams and installation examples, page 2

Standards

EN 61347-2-11
EN 55022

Supply

The LNU I will be supplied via the USB interface.
Attention: no electrical isolation.
Potential sync line = Potential USB line = Potential notebook

Software

- Compatible with WinXP, Win Vista, Win7 32 + 64 bit
- Before connecting the LNU I to the PC, install the USB driver and the LNU I software on the PC. Download of the software and the driver on the homepage in the TALEXcontrol LNU I product section under Downloads on www.tridonic-signage.com

Status display

3 LEDs for indicating the operating status

- blue = LNU I supplied via USB
- yellow = RX data received from LNU M / LNU S
- green = TX data sent from LNU M / LNU S

When the green LED lights the yellow LED must also light (communication echo), otherwise there is a fault in the LNU M or LNU S.

If the yellow (and blue) LEDs light continuously:
short-circuit on the Sync line or LNU M Sync line connected with reverse polarity.

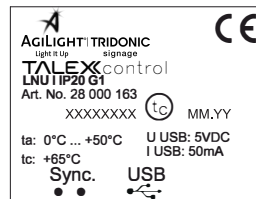


The TALEXcontrol LNU I computer interface and associated software may only be put into operation and used by trained personnel.



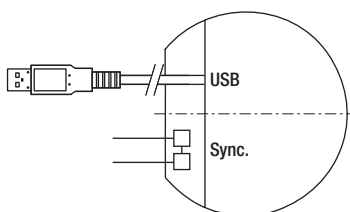
- Before the LNU I is put into operation on an LNU M or LNU S you must check the following:
- Connect only one device, LNU M or LNU S, to the Sync line, if necessary all other devices must be disconnected from the Sync line (LNU I does not have an addressing option if there are multiple devices).
 - LNU I – LNU S: polarity of the Sync line immaterial
 - LNU I – LNU M: polarity of the Sync line important! If the yellow RX LED light continuously the polarity of the Sync line must be changed (swap the lines).

Product label

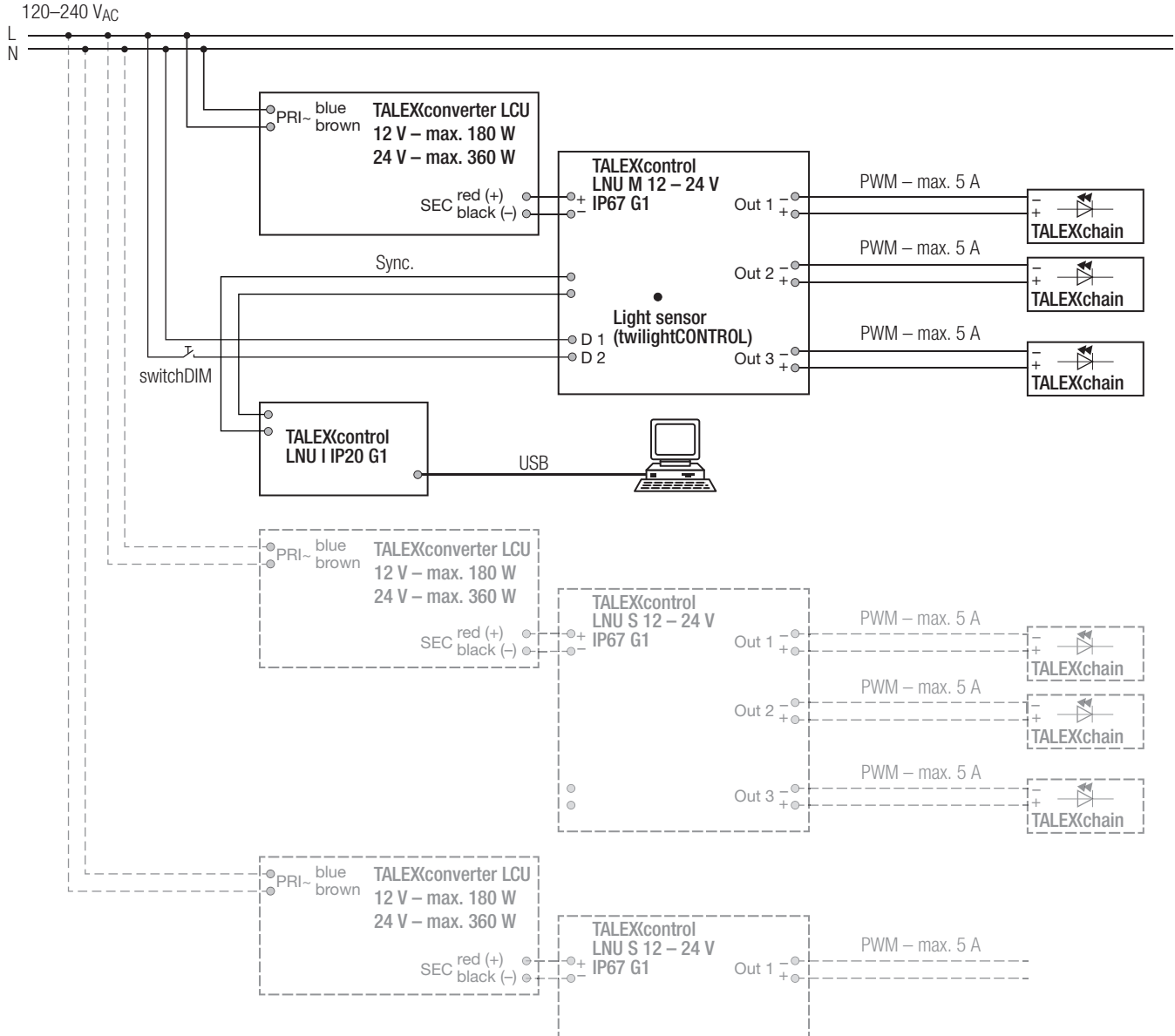


MM.YY: month-year
XXXXXXXX: production batch

Circuit diagram



Connection LNU I to LNU M



Max. cable length from LNU I to LNU M or LNU S: 50 m

Connection LNU I to LNU S

