



SIGNRAYZ[®]

CORE

Features and Benefits

- Batwing beam pattern to increase light coverage
- Waterproof IP68 rating
- UL certified for use in wet, damp and dry locations
- UV resistant, suitable for direct sun exposure
- Operating temperature range from -40°C to +70°C (-40°F to +158°F)
- Constant current driven LEDs
- No UV or IR emission
- Complies with FCC Title 47, Part 15, Subpart B for Class A digital devices
- 5-year limited warranty



Applications

- Shallow Channel Letters
- Cloud Signs
- Accent Lighting



Ordering Information

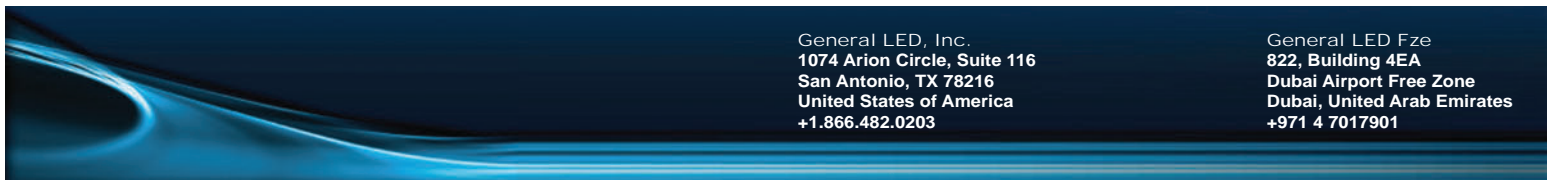
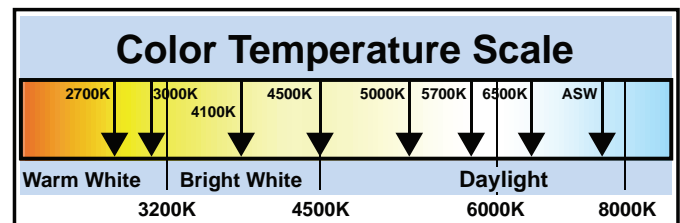
Ordering Code	LED Color/ CCT (K)	Number of Modules		Input Voltage (Volt)	Nominal Current (A/Module)	Max. Wattage per Module* (W)	Nominal Light Output (lm)*	
		per Foot	per Meter				per Foot	per Meter
LS-CORE-ASW-G2	AgiLight SignWhite	3	9.84	12	0.036	0.45	126	413
LS-CORE-65K-G2	White/6500K	3	9.84	12	0.036	0.45	126	413
LS-CORE-57K-G2	White/5700K	3	9.84	12	0.036	0.45	120	394
LS-CORE-50K-G2	White/5000K	3	9.84	12	0.036	0.45	120	394
LS-CORE-45K-G2	White/4500K	3	9.84	12	0.036	0.45	105	344
LS-CORE-41K-G2	White/4100K	3	9.84	12	0.036	0.45	105	344
LS-CORE-30K-G2	White/3000K	3	9.84	12	0.036	0.45	93	305
LS-CORE-27K-G2	White/2700K	3	9.84	12	0.036	0.45	93	305

*Nominal 0.43W

*±10%

Ordering Guide

LED Sign	Model	Color Temperature	Beam Pattern
LS	-CORE	-65K	-G2
		6500K	G2: Batwing

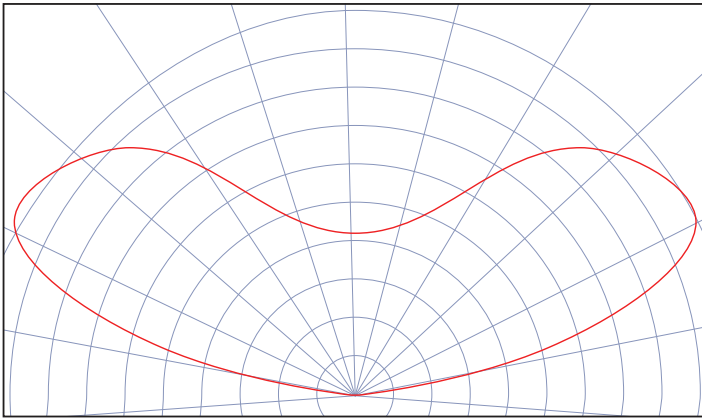


General LED, Inc.
1074 Arion Circle, Suite 116
San Antonio, TX 78216
United States of America
+1.866.482.0203

General LED Fze
822, Building 4EA
Dubai Airport Free Zone
Dubai, United Arab Emirates
+971 4 7017901

Luminous Intensity Distribution

G2 Batwing Beam Pattern



Power Supply Load Chart

Model	STANDARD (ft)		METRIC (m)	
	12W	60W	12W	60W
LS-CORE-XXX-G2	8.0	42.0	2.4	12.8

LED Module to Power Supply Wire Size

Wire Size		Maximum Distance*	
Gauge (AWG)	Metric (mm ²)	Feet	Meters
26	0.13	3	0.9
24	0.21	4	1.2
22	0.33	7	2.1
20	0.52	11	3.4
18	0.82	18	5.5
16	1.31	29	8.8
14	2.08	45	13.7
12	3.31	71	21.6
10	5.26	120	36.6

* Distance from power supply to load at full capacity.

Population Density Guide¹

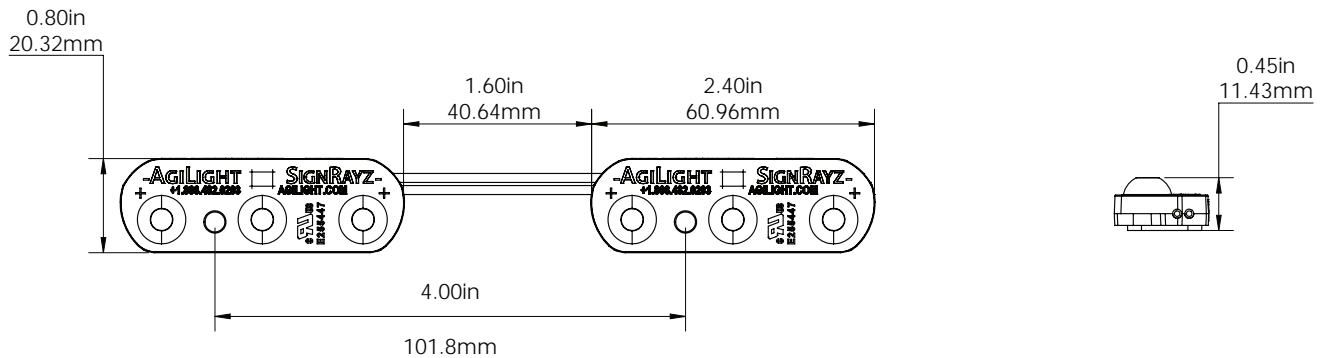
STANDARD (in)					
Channel Depth:	3	4	5	6	8
Max. Stroke	9	11	14	16	14 ²
Multiple Row Spacing	7	10	12	14	14 ²

METRIC (mm)					
Channel Depth:	75	100	125	150	200
Max. Stroke	229	279	356	406	356 ²
Multiple Row Spacing	178	254	305	356	356 ²

¹ 7328 White Acrylic was used for testing the face light uniformity; other face materials may vary the module and row spacing to achieve the same face light uniformity and brightness.

² Module spacing is determined to maintain ~600 lux at the sign face (7328 White Acrylic).

LED Module Dimensions



Shipping Information

Model	STANDARD								METRIC													
	SKU (ft)	Tray Quantity (ft)	Box Quantity (ft)	Case Quantity (ft)	Case Weight (lb)	Box Dimensions (in)			Case Dimensions (in)			SKU (m)	Tray Quantity (m)	Box Quantity (m)	Case Quantity (m)	Case Weight (kg)	Box Dimensions (mm)			Case Dimensions (mm)		
						W	D	H	W	D	H						W	D	H	W	D	H
LS-CORE-XXX-G2	1	25	100	500	61.6	19.7	13.8	4.7	26.4	20.5	15.4	0.3	7.6	30.5	152.4	28.0	500	350	120	670	520	390



1. These products are only suitable for connection to a Class 2 power source rated 12 Volt DC or less.
2. These products are intended for use only when connected to a power source that complies with Class 2 voltage and energy limited circuit.
3. When these units are connected to a Class 2 circuit, they are not to draw a total wattage of greater than the secondary or output rating of the Class 2 supply.
4. These products are suitable for use in dry, damp and wet locations. Not suitable for submersed applications.
5. These products may be secured in place in the end product by any means available.