



UL CLASS 2



Product Information

Part Number	PS0700-75W-1-A-D
Rated Input Voltage	100 - 277V AC
Maximum Input Voltage	90 - 305V AC
Rated Input Frequency	50 / 60 Hz
AC Input Current	Max 0.77A @ 120V AC Max 0.34A @ 277V AC
Rated DC Output Current	1.4A DC (0.7A x 2)
DC Output Current Tolerance	+/- 5%
Number of DC Output Channels	1 (including 2 DC Current Outputs)
DC Output Power	Max. 75W DC, Min. 17.5W DC
DC Output Voltage Range	12.5V – 54V DC
DC Output Classification	UL Class 2
Power Efficiency ¹⁾	Typ. 88% @ 120V AC Typ. 90% @ 220V AC Typ. 90% @ 277V AC
Typical Power Factor ¹⁾	≥ 0.90 @ 100-277V AC
Typical THD	≤ 20% @ 120-277V AC ²⁾
Inrush Current	Max. 61A @ 220V AC, 77°F (25°C) cold start, 1 ms
Protection	short circuit, over temperature
Surge Immunity	AC line to line 4 kV AC line to earth 6 kV
IP Rating	IP67
Operating Ambient Temperature	-40°F to +140°F (-40°C to +60°C)
Maximum Case Temperature Tc	+194°F (+90°C)
Storage Temperature	-40°F to +185°F (-40°C to +85°C)
Lifetime	50,000 hours @ Tc ≤ 167°F (75°C)
Dimensions (L x W x H)	8.02" x 2.52" x 1.26" 204 mm x 64 mm x 32 mm
Net Weight	1.874 lb 0.85 kg

Notes:

- 1) measured at full load, 77°F (25°C) ambient temperature
- 2) Measured at ≥ 75% load

Features and Benefits

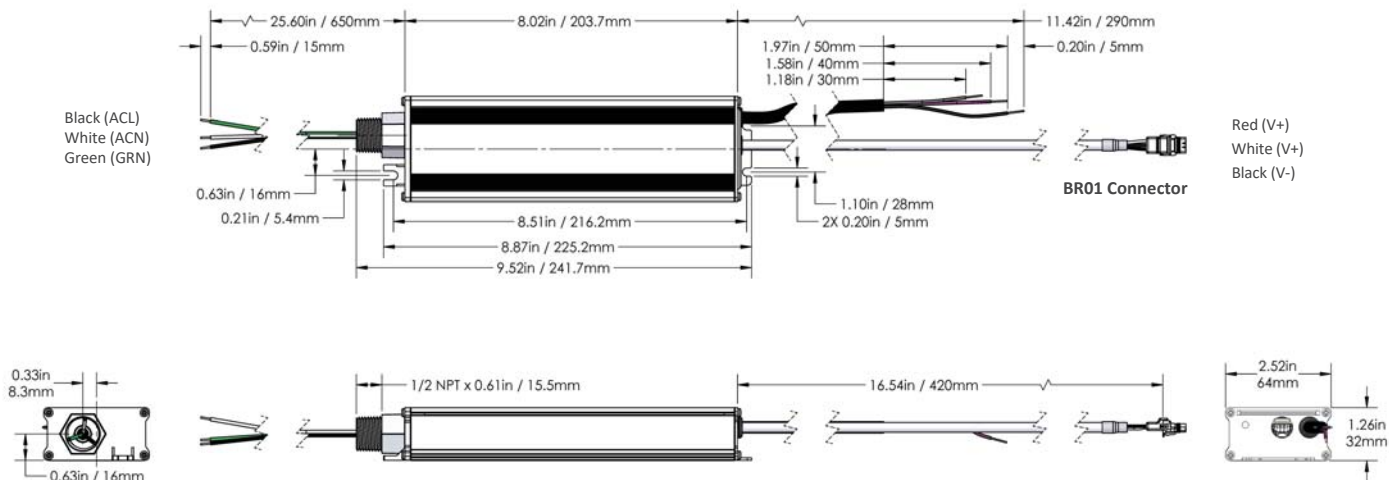
- UL Class 2 output to power 5 to 16 BoxRayz LED Modules
- Threaded primary 1/2" NPT connector for easy AC electrical wiring
Fast installation with IP67 connector directly plugging into BoxRayz LED modules
- Universal AC input 100-277V 50/60Hz
- Built-in dimming control circuit 0-10V
- IP67 rated - UL Certified for use in dry, damp and wet locations
- 5-year limited warranty



Standard Compliance

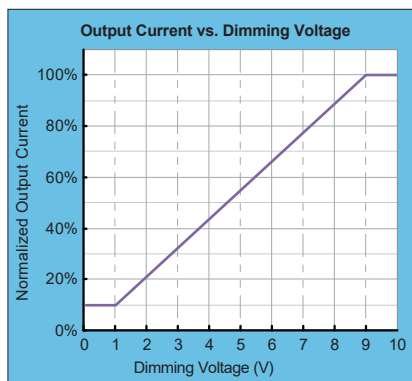
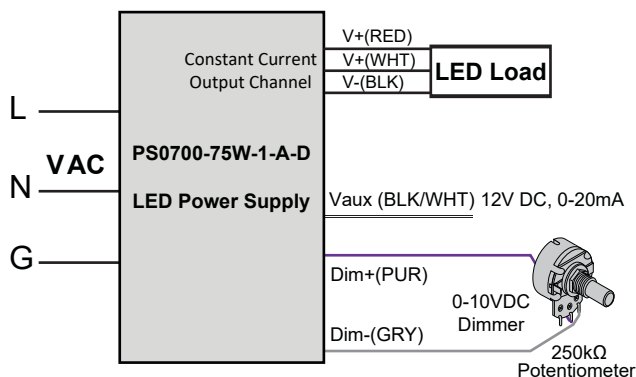
Safety		Safety Standards	
UL / cUL		UL8750, UL1310 Class 2, UL1012	CSA-C22.2 No. 107.1, CSA C22.2 No. 223- M91 Class 2
Country	USA & Canada		
EMI Standards			
EN 55015		Conducted emission Test & Radiated emission Test	
EN 61000-3-2		Harmonic current emissions	
EN 61000-3-3		Voltage fluctuations & flicker	
EN 61000-4-2		Electrostatic Discharge (ESD): 8 kV air discharge, 4 kV contact discharge	
EN 61000-4-3		Radio-Frequency Electromagnetic Field Susceptibility Test-RS	
EN 61000-4-4		Electrical Fast Transient / Burst-EFT	
EN 61000-4-5		Surge Immunity Test: AC Power Line: line to line 4 kV, line to earth 6 kV	
EN 61000-4-6		Conducted Radio Frequency Disturbances Test-CS.	
EN 61000-4-8		Power Frequency Magnetic Field Test	
EN 61000-4-11		Voltage Dips	
EN 61547		Electromagnetic Immunity Requirements Applies To Lighting Equipment	

Dimensions



Note: UL certification requires the power supply spacing to other power supplies, transformers, and ballasts shall be at least 1 inch (25.4 mm) from end to end and 4 inch (101.6 mm) from side to side.

Dimming Control



WARNING
Connecting to AC line voltage BEFORE connecting the LED modules to the power supply will **DAMAGE** the system and **VOID** the WARRANTY.

Notes:

- For the power supply to operate properly, the load voltage must be maintained above the rated minimum voltage.
- The dimmer may be operated using either a potentiometer or an input signal of 0...10V DC.

Power Supply Loading

Power Supply Type	Output Voltage	Output Current	Total # of Modules *
PS0700-75W-1-A-D	12.5 – 54V	1.4 A (0.70 A / LED)	5 to 16 Modules

* Applied to BoxRayz 400, BoxRayz EDGE, and BoxRayz 2.0 LED Modules.

Shipping Information

Part number	Packaging		Carton Weight	Box Dimensions			Carton Dimensions		
				L	W	H	L	W	H
PS0700-75W-1-A-D	1 unit	16 units	36.86 lb	11.42"	3.70"	2.17"	19.69"	12.60"	9.65"
	per Box	per Carton	16.72 kg	290 mm	94 mm	55 mm	500 mm	320 mm	245mm



- The maximum case temperature T_c shall not exceed 194°F (90°C) when used in end product.
- These products are intended to be connected to a max. 20 A branch circuit.
- These products are intended for use in dry, damp and wet locations.