



**UL CLASS 1**



## Product Information

<b>Part Number</b>	<b>PS12-SL-100W-120-277V</b>
Rated Input Voltage	120 - 277V AC
Maximum Input Voltage	108 - 305V AC
Rated Input Frequency	50 / 60 Hz
AC Input Current	Max 0.98A @ 120V AC Max 0.43A @ 277V AC
Rated DC Output Voltage	12V DC
DC Output Voltage Tolerance	-0% / +10%
Maximum DC Output Power	100W DC
Maximum DC Output Current	8.33A DC
Minimum DC Load	10% (0.833A)
DC Output Classification	UL Class 1
Power Efficiency <sup>1)</sup>	> 87% @ 120V AC > 90% @ 230V AC > 89% @ 277V AC
Typical Power Factor <sup>1)</sup>	> 0.95 @ 120V AC, 230V AC > 0.95 @ 277V AC
Typical THD	< 20% @ 120-277V AC <sup>2)</sup>
Protection	open circuit, short circuit, overload, over temperature
Surge Immunity	AC L to N 2 kV, AC L to GND 4 kV
IP Rating	IP67
Operating Ambient Temperature	-40°F to +140°F (-40°C to +60°C)
Maximum Case Temperature Tc	+194°F (+90°C)
Storage Temperature	-40°F to +185°F (-40°C to +85°C)
Lifetime	50,000 hours @ 50°C ambient, 100% load
Dimensions (L x W x H)	10.63" x 1.57" x 0.91" 270 mm x 40 mm x 23 mm
Net Weight	1.235 lb   0.56 kg

Notes:

- 1) Measured at full load, 77°F (25°C) ambient temperature
- 2) Measured at ≥ 75% load

## Features and Benefits

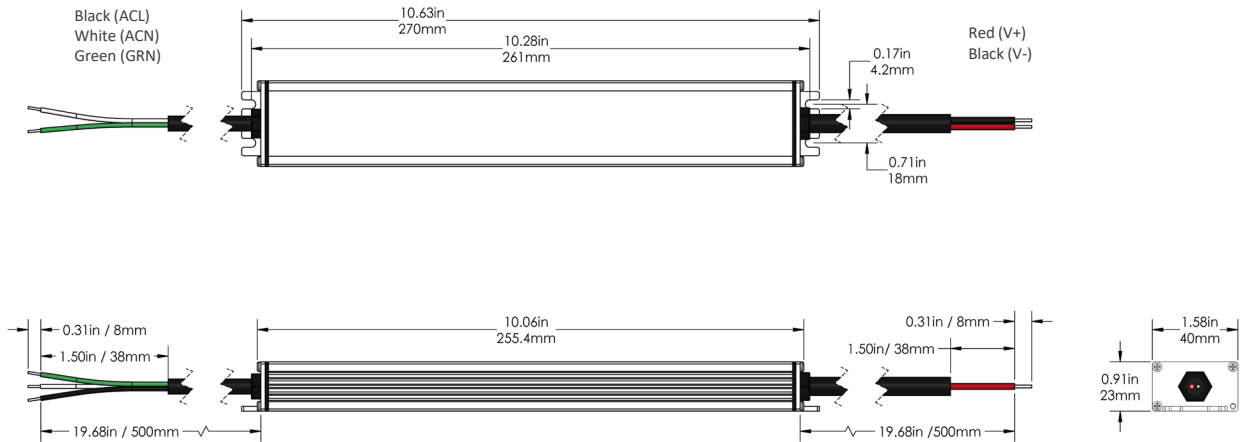
- Very slim housing only 0.91" (23mm) height and 1.57" (40mm) width
- Best for mounting inside shallow signs down to 2" (50mm) depth with no shadowing on the sign face
- Wide AC input voltage range 120-277V 50/60Hz
- IP67 rated, for use in dry, damp and wet locations
- Compliant with FCC Title 47 CFR Part 15, ANSI C63.4: 2009 Class B
- 5 year limited warranty



## Standard Compliance

Safety	Safety Standards	
UL / cUL	UL 879, UL 879A, UL 8750	CSA-C22.2 No. 107.1
Country	USA & Canada	
EMI Standards		
FCC Part 15	ANSI C63.4:2009 Class B	
EN 55015	CISPR15 - Limits and methods of measurement of radio disturbance characteristics of electrical lighting and similar equipment	
EN 61000-4-4	Electrical Fast Transient / Burst (Level 3 2KV/5K Hz)	
EN 61000-4-5	Surge Immunity Test: AC Power Line (L to N 2 kV, L to GND 4 kV)	
EN 61000-4-11	Immunity against mains dips/ mains interruptions	
IEC 62493	Assessment of lighting equipment related to human exposure to electromagnetic fields	

## Dimensions



Note: UL certification requires the power supply spacing to other power supplies, transformers, and ballasts shall be at least 1 inch (25.4 mm) from end to end and 4 inch (101.6 mm) from side to side.

## Shipping Information

Part number	Packaging		Carton Weight	Box Dimensions			Carton Dimensions		
				L	W	H	L	W	H
PS12-SL-100W-120-277V	1 unit	10 units	14.40 lb	12.60"	2.99"	1.89"	15.59"	13.23"	5.63"
	per Box	per Carton	6.53 kg	320 mm	76 mm	48 mm	396 mm	336 mm	143 mm



### CAUTIONS

1. The maximum case temperature  $T_c$  shall not exceed 194°F (90°C) when used in end product.
2. These products are intended to be connected to a max. 20 A branch circuit.
3. These products are intended for use in dry, damp and wet locations.