



## Applications

- Single-and-double faced cabinet signs
- Box signs
- Applications starting at 5" | 125 mm depth or higher



## Ordering Information

Part number	White Color Temperature	# of Mods / Connector set	Module Spacing (mm)	Number of Modules		Nominal Light Output (lm) *		
				per Foot	per Meter	per Module	per Foot	per Meter
LS-BR02-65K1B7-405A	6500K	1	406	0.75	2.46	470	353	1156
LS-BR02-57K1B7-405A	5700K	1	406	0.75	2.46	470	353	1156
LS-BR02-50K1B7-405A	5000K	1	406	0.75	2.46	470	353	1156
LS-BR02-40K1B7-405A	4000K	1	406	0.75	2.46	470	353	1156
LS-BR02-30K1B7-405A	3000K	1	406	0.75	2.46	450	338	1107
LS-BR02-27K1B7-405A	2700K	1	406	0.75	2.46	450	338	1107
LS-BR02-65K4B7-405A	6500K	4	406	0.75	2.46	470	353	1156
LS-BR02-57K4B7-405A	5700K	4	406	0.75	2.46	470	353	1156
LS-BR02-50K4B7-405A	5000K	4	406	0.75	2.46	470	353	1156
LS-BR02-40K4B7-405A	4000K	4	406	0.75	2.46	470	353	1156
LS-BR02-30K4B7-405A	3000K	4	406	0.75	2.46	450	338	1107
LS-BR02-27K4B7-405A	2700K	4	406	0.75	2.46	450	338	1107

\* ±10%

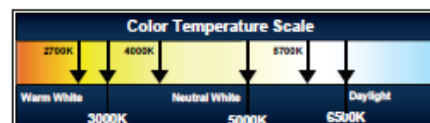
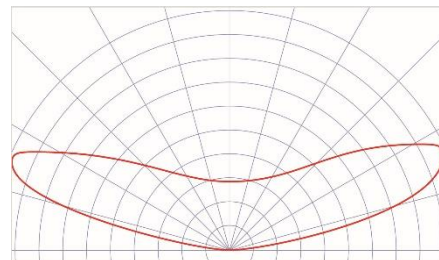


## Product Ratings

Cable Connector Type	BR02
Luminous Efficacy	122 lm/w @ 6500K
Wattage per Module	3.85 W Nominal 3.92 W Maximum
Input Current per Module	1.40 A DC (0.70 A per LED)
Input Voltage per Module	2.75 V DC Nominal 2.80 V DC Maximum
Power Supply Loading	17 mods / 75W; 34 mods / 150W
Ingress Protection	IP68
Operating Temperature	-40°F to +140°F (-40°C to +60°C)
L70 Life time	50,000 hours
Warranty	5 Year limited

## Luminous Intensity Distribution

B7 Batwing Beam Pattern



## Layout Guide\*

Channel Depth (inch)	Multiple Rows		Channel Depth (mm)	Multiple Rows	
	Row Spacing	Module Spacing		Row Spacing	Module Spacing
5	12	12	125	305	305
6	14	14	150	356	356
7	16	16	180	406	406
8	18	16	200	457	406
9	20	16	230	508	406
10	22	16	250	559	406
11	24	16	280	610	406
12	24**	16	305	610	406

\* Module spacing is defined to achieve a minimum of 800 lux for multiple rows at sign face (7328 white).

\*\* Can go wider if needed.

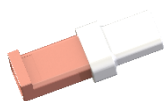
## Shipping Information

Module Type	Packaging Quantity			Carton Weight	Box Dimensions			Carton Dimensions				
	per Bag	per Box	per Carton		W	D	H	W	D	H		
LS-BR02-xxKxB7-405A	16	64	256	Modules	37.5 lb 17.0 kg	18.5	9.5	3.7	19.3	16.7	10.4	Inch
	21.3	85.3	341.3	Feet								
	6.5	26	104	Meters								

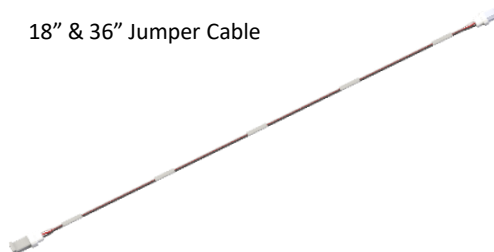
## BoxRayz<sup>®</sup> 2.0 Accessories (IP 67 Rating)

Part Number	Product Name	Connector Type	Wire Gauge	Box Quantity	Box Dimensions
AC-EPLG-00-3-BR02-1	BR02-LED String End Plug	BR02 – 1 Plug	N/A	1000 pcs/box	15.7" x 9.4" x 9.4" (398 x 240 x 238 mm)
AC-JUMP-18-3-BR02-1	BR02-18" Jumper Cable (457 mm)	BR02 – 1 Plug & 1 Receptacle	22 AWG (0.33 mm <sup>2</sup> )	500 pcs/box	11.6" x 9.6" x 6.6" (295 x 245 x 167 mm)
AC-JUMP-36-3-BR02-1	BR02-36" Jumper Cable (914 mm)	BR02 – 1 Plug & 1 Receptacle		250 pcs/box	11.6" x 9.6" x 6.6" (295 x 245 x 167 mm)
AC-ADPT-BR01PS-02MD	6" Adapter to BR01 Power Supply (152 mm)	1 (BR02) Receptacle & 1 (BR01) Plug		100 pcs/box	8.3" x 5.1" x 3.7" (210 x 130 x 95 mm)

End Plug



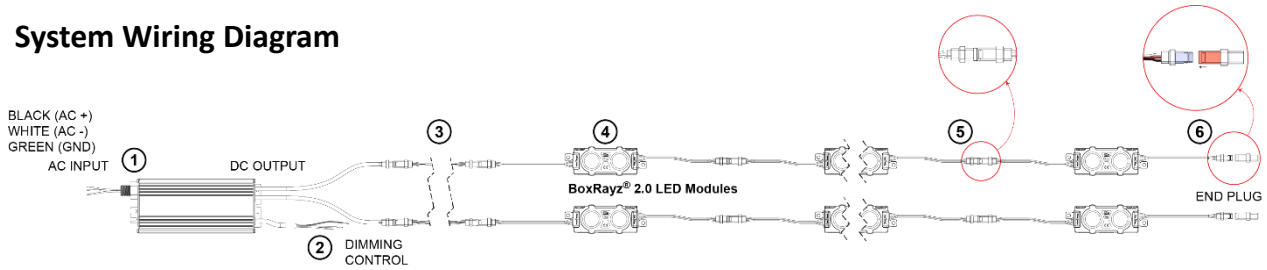
18" & 36" Jumper Cable



6" Adapter



## System Wiring Diagram



## System Component List



1. UL Class 2 constant current power supply 1.4 A
2. 0-10V dimming control input
3. Jumper cables between power supply and LED module string
4. BoxRayz<sup>®</sup> LED modules
5. One-way plug-receptacle BR02 connectors
6. End plug for closing the electrical connection loop

## System Component List

1. No more wire cutting during installation
  - Each 1 or 4 LED module(s) has its own set of connectors
  - Power supply, 18"/36" jumper cables have matching connectors
2. Safe Electrical Interconnections
  - One-way connectors guarantee correct electrical connections
  - Waterproof, IP67 rating on all connector-to-wire packaging

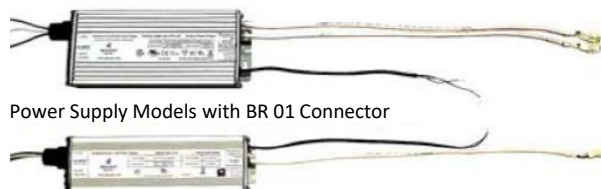
Class 2 Constant Current Power Supply	Power Supply Output Voltage	Power Supply Output Current	Number of Output Channels	Total # of Modules per Power Supply	# of Modules per Channel
PS0700-75W-x	12.5-54 V DC	1.40 A (0.70 A/LED)	1	5 to 17	5 to 17
PS0700-150W-x	24-54 V DC		2	9 to 34*	8 to 17**

\* When running 9-15 modules, all modules must be connected to ONLY 1 of the 2 channels.  
 \*\* When ONLY using 1 channel of the power supply, a minimum of 9 modules are needed.

CC Power Supply Part Number	Product Certification	DC Output Cable Connector Type	Connecting to Modules
PS0700-75W-1-A-D-02	ULcUL	New BR02 Connector 	Directly plug into a BoxRayz <sup>®</sup> 2.0 LED Module String
PS0700-75W-1-E-D-02	CE, ENEC		
PS0700-150W-2-A-D-02	ULcUL		
PS0700-150W-2-E-D-02	CE, ENEC		
PS0700-75W-1-A-D	ULcUL	BR01 Connector 	Use 6" Adapter in between these Power Supplies and BoxRayz <sup>®</sup> 2.0 LED Modules
PS0700-75W-1-E-D	CE, ENEC		
PS700-150W-100-277V	ULcUL		
PS0700-150W-2-E-D	CE, ENEC		

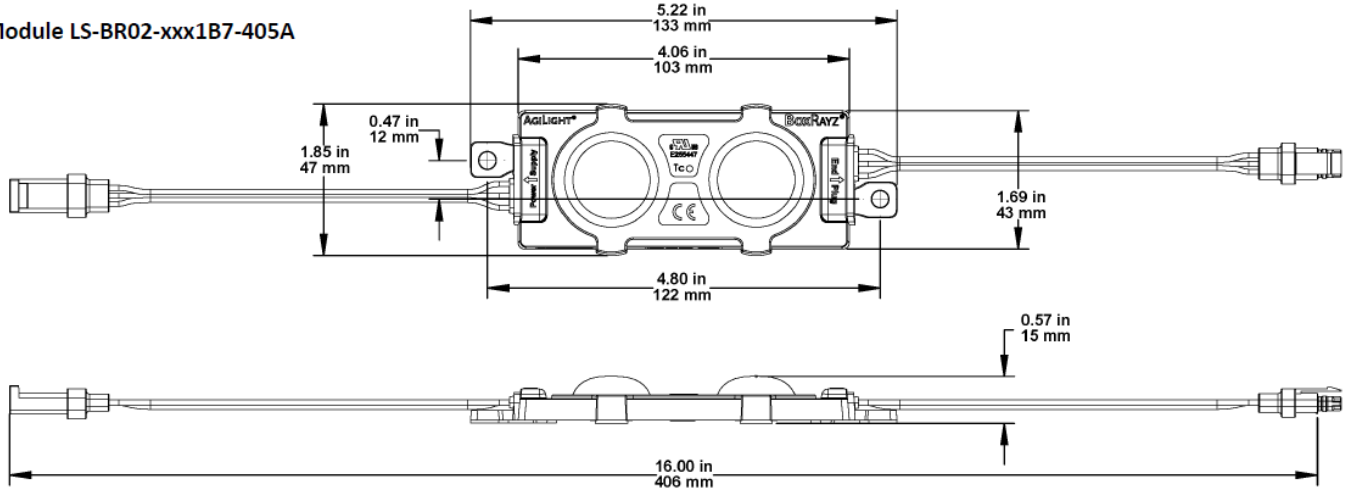
### WARNING

Connecting to AC line voltage BEFORE connecting the LED modules to the power supply may DAMAGE the system and VOID the WARRANTY.

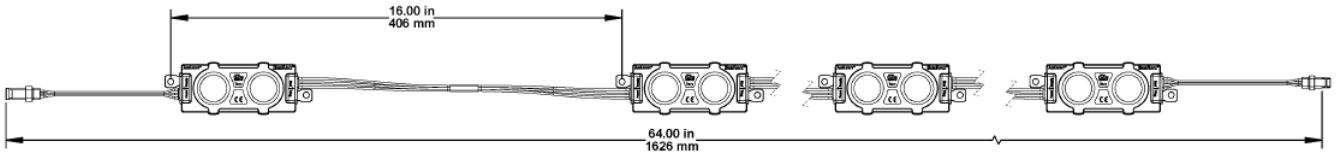


## Dimensions

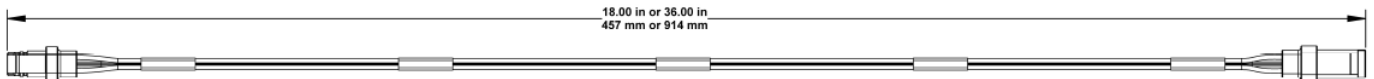
### Module LS-BR02-xxx1B7-405A



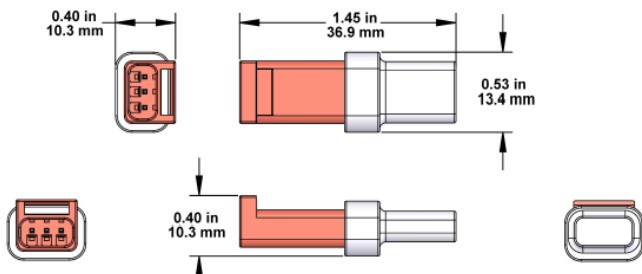
### Module LS-BR02-xxx4B7-405A



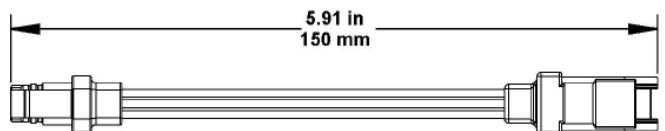
### Jumper Cables AC-JUMP-18/36-3-BR02-1



### LED String End Plug AC-EPLG-00-3-BR02-1



### 6" Adapter AC-ADPT-BR01PS -02MD



1. UL ONLY - These products are only suitable for connection to a UL rated Class 2 power source rated 12 Volt or less.
2. UL ONLY - These products are intended for use only when connected to a power source that complies with UL rated Class 2 voltage and energy limited circuit.
3. UL ONLY - When these units are connected to a UL rated Class 2 circuit, they are not to draw a total wattage of greater than the secondary or output rating of the UL rated Class 2 power supply.
4. These products may be secured in place in the end product by any means available.
5. These products are suitable for use in dry, damp, and wet locations. Not suitable for submersed applications.